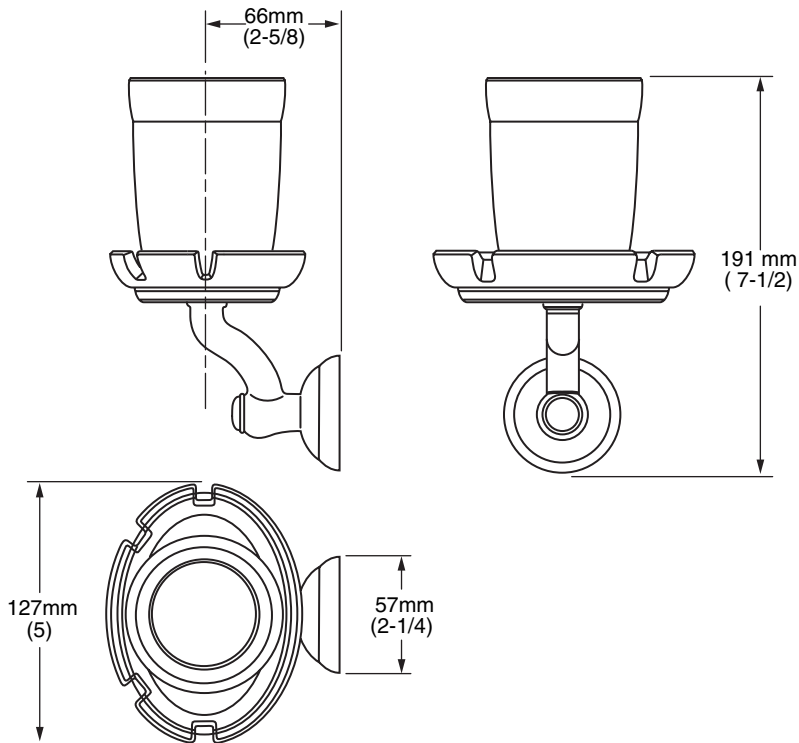


MODEL NUMBER:

☐ 6761 TUMBLER/TOOTHBRUSH HOLDER

Available Finishes

	Polished Chrome (no finish suffix needed)
S	Satin Nickel



PRODUCT FEATURES:

Heavy duty construction: Highest quality materials for durability & long life.

Concealed Mounting: No exposed set screws.

Materials of Construction: Body - zinc. Escutcheon - brass. Index button - porcelain. Toothbrush Holder and Tumbler - clear glass.

Easy to Install

Choice of Finishes: Chrome and Satin Nickel.

SUGGESTED SPECIFICATION:

Tumbler/Toothbrush Holder shall feature heavy-duty construction. Shall feature concealed mounting. Toothbrush Holder and Tumbler shall be clear glass. Tumbler/Toothbrush Holder shall be American Standard Model # 6761_.